

## **Semi Automatic Strapping Machines**

**Technical Data Sheet SBM 2000 / 2300 / 2301**



**SBM 2000**



**SBM 2300**



**SBM 2301**

## Semi Automatic Strapping Machines

### Highlights - Standard Equipment - Technical Data

#### Highlights



#### Exceptionally easy operation

Strap tension adjustable with press button (+/-).

Strap tension "Soft" for delicate products



#### Easy fault clearance without tools



#### Minimum maintenance requirement

Easily accessible (without tools)



#### Simple and rapid coil change



#### Lightweight strap for cost effective strapping

New technology allows use of thin 5 mm strap as alternative to 9/12 mm

#### Standard Equipment

- Adjustable conveyor height
- Four castors with brakes
- Closed strap chute system
- Heat seal
- Automatic strap threading device
- Automatic strap end ejection
- Food pedal
- Touch Panel with additional strap tension "Soft"
- Automatic strap loop ejection for cycles without product
- Cycle counter
- Electrical supply cable, 5 m
- Dispenser position  
SBM 2000: integrated  
SBM 2300: side mounted  
SBM 2301: side mounted
- Error message display

#### Technical Data

##### Machines

- Heat weld sealing, preheating time 30 s
- Electrical supply Single phase AC  
230 V / 50 Hz, 1PNE and  
115 V / 60 Hz, 1PNE  
Tolerance -15%/+20%
- Performance at at 225 VAC
 

	Modus Sleep	Modus Stand-by	Modus Operation
- Watt	26 W	63 W	446 W
- Volt Ampere	38 VA	64 VA	451 VA
- Reactive Power	27 VAR	9 VAR	94 VAR
- Power Factor	PF 0,60	PF 0,88	PF 0,98
- COS Phi	0,69	0,99	0,99
- Ampere	0,19 A	0,32 A	2,3 A
- Conveyor height 820–930 mm
- Machine weight 170–200 kg
- Colour Green: RAL 6000

##### Packages

- |                       | SBM 2000 / 2300              | SBM 2301                     |
|-----------------------|------------------------------|------------------------------|
| · Min. width / height | 100 x 20 mm                  | 50 x 5 mm                    |
| · Max. width / height | Chute dimension<br>./. 50 mm | Chute dimension<br>./. 50 mm |
| · Max. weight         | 35 kg                        | 35 kg                        |

##### Plastic strap (PP)

- |                              | SBM 2000 / 2300  | SBM 2301         |
|------------------------------|------------------|------------------|
| Width, 5 mm / embossed       | Dylastic 540 SBM | Dylastic 540 SBM |
| Strap thickness              | 0,40–0,50 mm     | 0,40–0,50 mm     |
| Strap coil, inside/outside Ø | 200/430 mm       | 200/430 mm       |

Polypropylene straps and applications have to correspond with the strap specifications recommended by Signode!

## Semi Automatic Strapping Machines

### Performance - Options

#### Performance

Machines	SBM 2000	SBM 2300	SBM 2301
For strap width	5 mm	5 mm	5 mm
Max. cycles	70/min.	70/min.	70/min.
Chute dimensions (w x h)			
- 500 x 400 mm	5 mm		5 mm
- 650 x 500 mm	5 mm		
- 1250 x 500 mm		5 mm	
- 1550 x 500 mm		5 mm	

#### Performance:

Depends on chute and package dimensions, conveyor speed, package distances and strap tension

Machines	SBM 2000	SBM 2300	SBM 2301
Strap tension, up to	300 N	300 N	300 N
Room temperature	10-40°C	10-40°C	10-40°C
Relative humidity of air	10-65%	10-65%	10-65%

#### Options



**Foot switch**  
with protection cover



**Cycle start triggered by photocell**  
for single, double or multiple strapping



**Roller table**  
for easy handling of heavy parcels



**Interface**  
for integration into existing production lines



**Second foot pedal**  
for operation on both sides

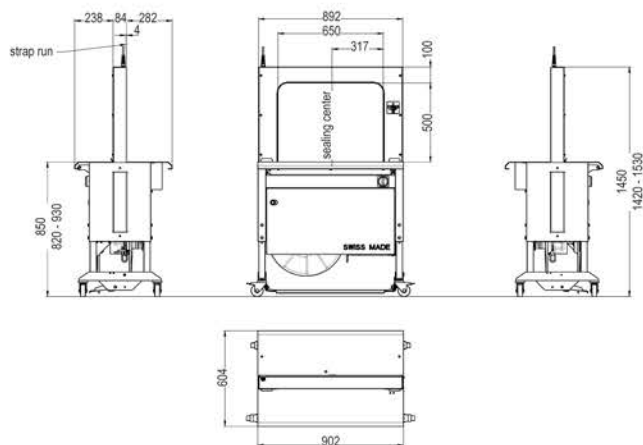


**Bundle stops**  
for precise positioning of loose packages

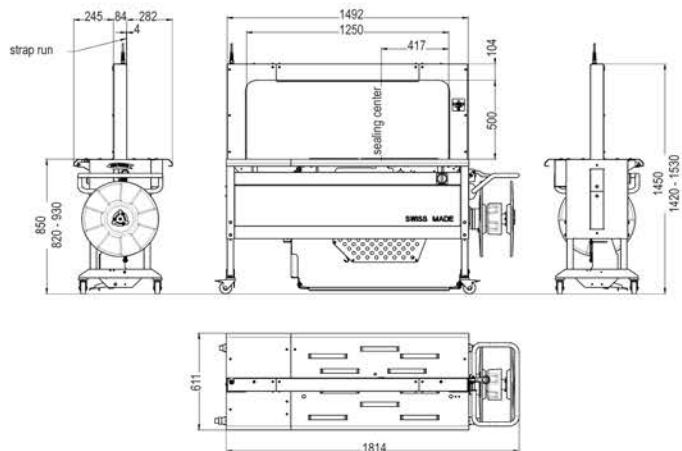
## Semi Automatic Strapping Machines

### Layouts SBM 2000 / 2300 / 2301

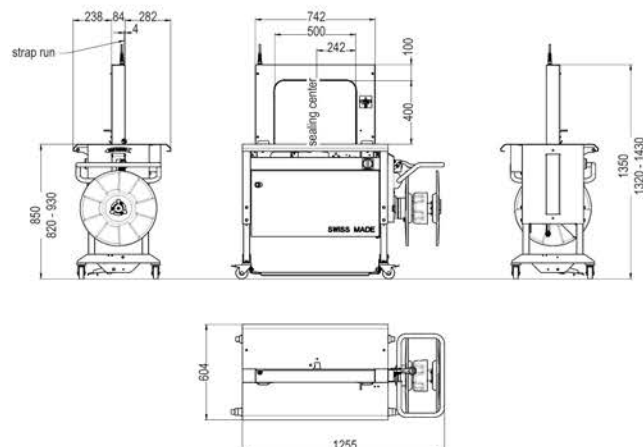
#### SBM 2000 (650 x 500 mm)



#### SBM 2300 (1250 x 500 mm)



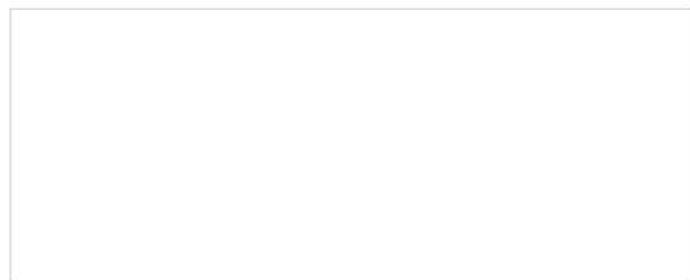
#### SBM 2301 (500 x 400 mm)



#### SIGNODE POLSKA

ul. Gen. L. Okulickiego 7/9, 05-500 Piaseczno, Polska  
T: +48 22 233 10 41 T: +48 22 233 10 39  
F: +48 22 233 10 40 E: [signode@signode.pl](mailto:signode@signode.pl)  
[www.signode.pl](http://www.signode.pl) [www.signode-europe.com](http://www.signode-europe.com)

**SIGNODE®**



Signode has a policy of continuous product development and reserves the right to alter specifications at any time without prior notice.