

# **SBM 4000** SERIES

## **Semi Automatic Strapping Machines**

### **Technical Data Sheet SBM 4400 / 4401**



## Semi Automatic Strapping Machines

### Highlights - Standard Equipment - Technical Data

#### Highlights



#### Exceptionally easy operation

Strap tension adjustable with press button (+/-).

Strap tension "Soft" for delicate products



#### Easy fault clearance without tools



#### Minimum maintenance requirement

Easily accessible (without tools)



#### Simple and rapid coil change



#### Lightweight strap for cost effective strapping

#### Standard Equipment

- Adjustable seal height
- Four castors with brakes
- Closed strap chute system
- Heat seal
- Automatic strap threading device
- Automatic strap end ejection
- Foot switch (with option Interface not included)
- Touch panel with additional strap tension "Soft"
- Automatic strap loop ejection for cycles without product
- Cycle counter
- Electrical supply cable, 5 m
- Dispenser, above machine

#### Technical Data

##### Machines

- Heat weld sealing, preheating time 30 s
- Electrical supply Single phase AC  
230 V / 50 Hz, 1PNE and  
115 V / 60 Hz, 1PNE  
Tolerance -15%/+20%
- Performance at at 225 VAC
 

	Modus Sleep	Modus Stand-by	Modus Operation
- Watt	26 W	63 W	446 W
- Volt Ampere	38 VA	64 VA	451 VA
- Reactive Power	27 VAR	9 VAR	94 VAR
- Power Factor	PF 0,60	PF 0,88	PF 0,98
- COS Phi	0,69	0,99	0,99
- Ampere	0,19 A	0,32 A	2,3 A
- Conveyor height 560–1040 mm
- Machine weight 190 kg
- Colour Green: RAL 6000

##### Packages

- |                       | SBM 4400                     | SBM 4401                     |
|-----------------------|------------------------------|------------------------------|
| · Min. width / height | 50 x 100 mm                  | 5 x 50 mm                    |
| · Max. width / height | Chute dimension<br>./. 50 mm | Chute dimension<br>./. 50 mm |
| · Max. weight         | 50 kg*                       | 50 kg*                       |

##### Plastic strap (PP)

- |                              | SBM 4400          | SBM 4401          |
|------------------------------|-------------------|-------------------|
| Width: 9 mm / embossed       | Dylastic 940 SBM  | Dylastic 940 SBM  |
| Width: 12 mm / embossed      | Dylastic 1240 SBM | Dylastic 1240 SBM |
| Strap thickness              | 0,40–0,60 mm      | 0,40–0,60 mm      |
| Strap coil, inside/outside Ø | 200/430 mm        | 200/430 mm        |

\* depending on the conveyor technology

Polypropylene straps and applications have to correspond with the strap specifications recommended by Signode!

## Semi Automatic Strapping Machines

### Performance - Options

#### Performance

##### Performance:

Depends on chute and package dimensions, conveyor speed, package distances and strap tension

Machines	SBM 4400	SBM 4401
For strap width	9/12 mm	9/12 mm
Max. cycles	65/min.	65/min.
Chute dimensions (w x h)		
- 300 x 600 mm		9/12 mm
- 650 x 500 mm	9/12 mm	
- 850 x 850 mm	9/12 mm	
- 850 x 1250 mm	9/12 mm	
- 850 x 1550 mm	9/12 mm	
- 1250 x 850 mm	9/12 mm	

Machines	SBM 4400	SBM 4401
Strap tension man., up to	450 N	450 N
Strap tension auto., up to*	600 N	600 N
Room temperature	10-40°C	10-40°C
Relative humidity of air	10-65%	10-65%

\*option

#### Options



**Foot switch**  
with protection cover



**Roller table**  
– In working chute width  
– Height adjustable  
– Idle roller table



**Standard interface**  
for integration into existing production lines for fully automatic (in-line) applications



**Fixable feet**  
The machine can be securely located with fixable feet

**Interface for high strap tension**  
for integration into existing production lines and strap tension up to  
– Until 600 N for fully automatic applications



**External control for strap positioning**

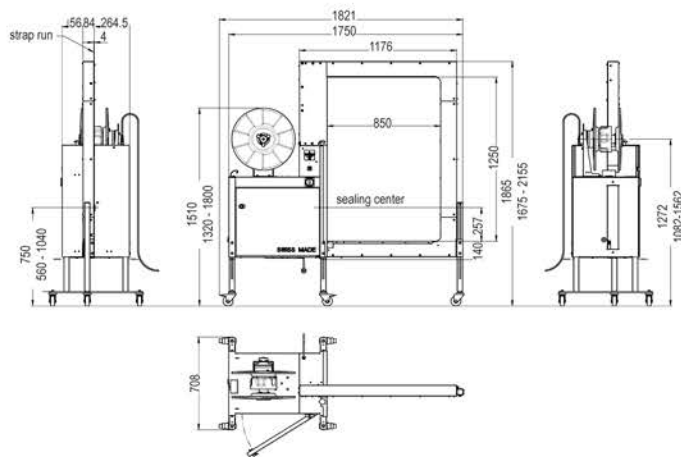
**Further options**  
· **Special sealing height**  
Other heights than 560–1040 mm

# SBM 4000 SERIES

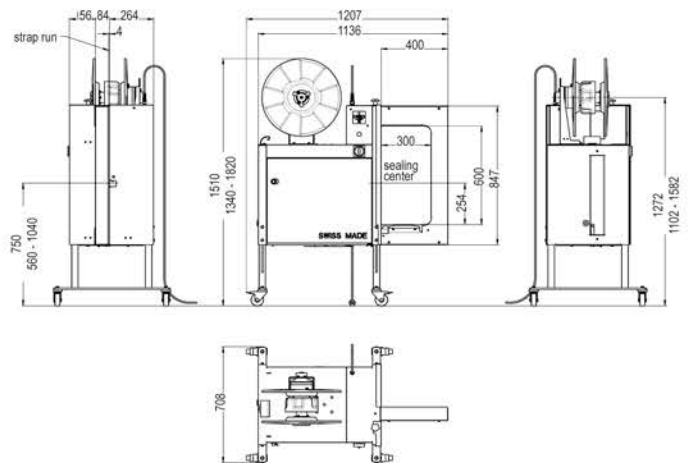
## Semi Automatic Strapping Machines

### Layouts SBM 4400 / 4401

SBM 4400 (850 x 1250 mm)



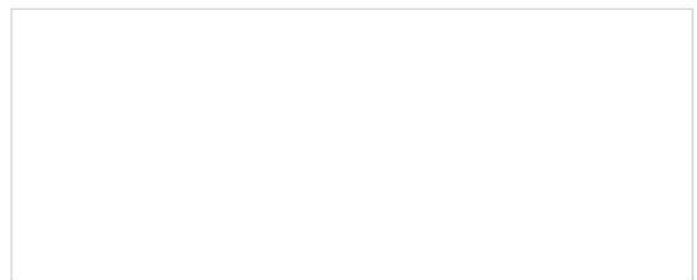
SBM 4401 (300 x 600 mm)



#### SIGNODE POLSKA

ul. Gen. L. Okulickiego 7/9, 05-500 Piaseczno, Polska  
T: +48 22 233 10 41 T: +48 22 233 10 39  
F: +48 22 233 10 40 E: signode@signode.pl  
www.signode.pl www.signode-europe.com

**SIGNODE®**



Signode has a policy of continuous product development and reserves the right to alter specifications at any time without prior notice.