

SBM 4000 SERIES

Semi Automatic Strapping Machines

Technical Data Sheet SBM 4000 / 4300 / 4301



SBM 4000



SBM 4300



SBM 4301

Semi Automatic Strapping Machines

Highlights - Standard Equipment - Technical Data

Highlights



Exceptionally easy operation

Strap tension adjustable with press button (+/-).

Strap tension "Soft" for delicate products



Easy fault clearance without tools



Minimum maintenance requirement

Easily accessible (without tools)



Simple and rapid coil change



Lightweight strap for cost effective strapping

Standard Equipment

- Adjustable conveyor height
- Four castors with brakes
- Closed strap chute system
- Heat seal
- Automatic strap threading device
- Automatic strap end ejection
- Food pedal
- Touch Panel with additional strap tension "Soft"
- Automatic strap loop ejection for cycles without product
- Cycle counter
- Electrical supply cable, 5 m
- Dispenser position
SBM 4000: integrated
SBM 4300: side mounted
SBM 4301: side mounted
- Error message display

Technical Data

Machines

- Heat weld sealing, preheating time 30 s
- Electrical supply Single phase AC
230 V / 50 Hz, 1PNE and
115 V / 60 Hz, 1PNE
Tolerance -15%/+20%
- Performance at at 225 VAC

	Modus Sleep	Modus Stand-by	Modus Operation
- Watt	26 W	63 W	446 W
- Volt Ampere	38 VA	64 VA	451 VA
- Reactive Power	27 VAR	9 VAR	94 VAR
- Power Factor	PF 0,60	PF 0,88	PF 0,98
- COS Phi	0,69	0,99	0,99
- Ampere	0,19 A	0,32 A	2,3 A
- Conveyor height 820–930 mm
- Machine weight 170–200 kg
- Colour Green: RAL 6000

Packages

- | | SBM 4000 / 4300 | SBM 4301 |
|-----------------------|------------------------------|------------------------------|
| · Min. width / height | 100 x 20 mm | 50 x 5 mm |
| · Max. width / height | Chute dimension
./. 50 mm | Chute dimension
./. 50 mm |
| · Max. weight | 35 kg | 35 kg |

Plastic strap (PP)

- | | SBM 4000 / 4300 | SBM 4301 |
|------------------------------|-------------------|-------------------|
| Width: 9 mm / embossed | Dylastic 940 SBM | Dylastic 940 SBM |
| Width: 12 mm / embossed | Dylastic 1240 SBM | Dylastic 1240 SBM |
| Strap thickness | 0,40–0,60 mm | 0,40–0,60 mm |
| Strap coil, inside/outside Ø | 200/430 mm | 200/430 mm |

Polypropylene straps and applications have to correspond with the strap specifications recommended by Signode!

Semi Automatic Strapping Machines

Performance - Options

Performance

Performance:

Depends on chute and package dimensions, conveyor speed, package distances and strap tension

Machines	SBM 4000	SBM 4300	SBM 4301
For strap width	9/12 mm	9/12 mm	9/12 mm
Max. cycles	65/min.	65/min.	65/min.
Chute dimensions (w x h)			
- 500 x 400 mm			9/12 mm
- 650 x 500 mm	9/12 mm	9/12 mm	
- 850 x 650 mm		9/12 mm	
- 850 x 850 mm		9/12 mm	
- 850 x 1250 mm		9/12 mm	
- 1250 x 500 mm		9/12 mm	
- 1250 x 850 mm		9/12 mm	
- 1550 x 500 mm		9/12 mm	
- 1550 x 850 mm		9/12 mm	

Machines	SBM 4000	SBM 4300	SBM 4301
Strap tension, up to	450 N	450 N	450 N
Room temperature	10-40°C	10-40°C	10-40°C
Relative humidity of air	10-65%	10-65%	10-65%

Options



Foot switch
with protection cover



Cycle start triggered by photocell
for single, double or multiple strapping



Roller table
for easy handling of heavy parcels



Interface
for integration into existing production lines



Second foot pedal
for operation on both sides



Bundle stops
for precise positioning of loose packages

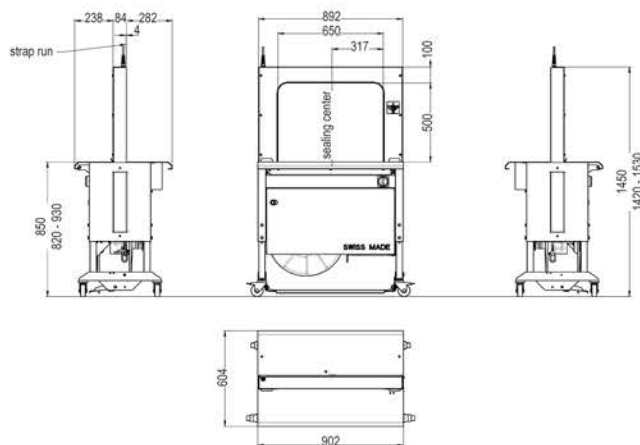


Hold down device for SBM 4300
for compressing packages and loose bundles

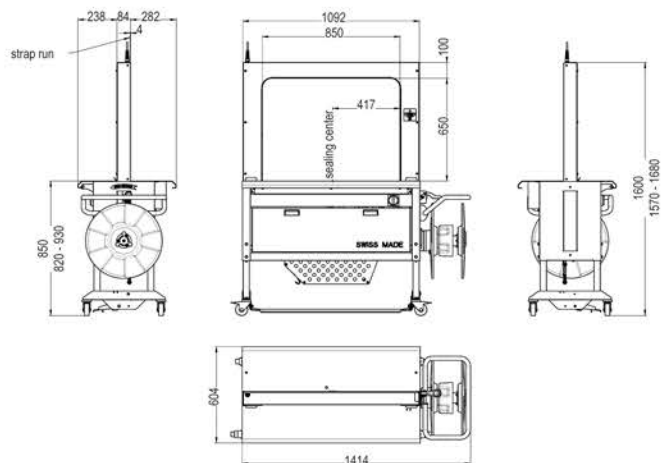
Semi Automatic Strapping Machines

Layouts SBM 4000 / 4300 / 4301

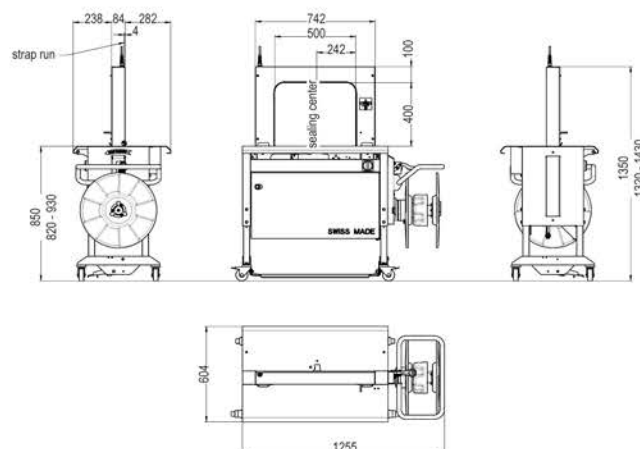
SBM 4000 (650 x 500 mm)



SBM 4300 (850 x 650 mm)



SBM 4301 (500 x 400 mm)



SIGNODE POLSKA

ul. Gen. L. Okulickiego 7/9, 05-500 Piaseczno, Polska
 T: +48 22 233 10 41 T: +48 22 233 10 39
 F: +48 22 233 10 40 E: signode@signode.pl
 www.signode.pl www.signode-europe.com

