

SBM 4000 SERIES

Semi Automatic Strapping Machines

Technical Data Sheet SBM 4302



Semi Automatic Strapping Machines

Highlights - Standard Equipment - Technical Data

Highlights



IP 56 Protection

The machines are in compliance with the state of the art production requirements.



Exceptionally easy operation

Strap tension adjustable with press button (+/-).

Strap tension "Soft" for delicate products



Minimum maintenance requirement

Easily accessible (without tools)



Simple and rapid coil change



Lightweight strap for cost effective strapping

Standard Equipment

- Adjustable conveyor height
- Four castors with brakes
- Closed strap chute system
- Heat seal
- Automatic strap threading device
- Automatic strap end ejection
- Food pedal
- Touch Panel with additional strap tension "Soft"
- Automatic strap loop ejection for cycles without product
- Cycle counter
- Electrical supply cable, 5 m
- Dispenser side mounted
- Error message display

Technical Data

Machines

- Heat weld sealing, preheating time 30 s
- Electrical supply Single phase AC
230 V / 50 Hz, 1PNE and
115 V / 60 Hz, 1PNE
Tolerance -15%/+20%
- Performance at at 225 VAC

	Modus Sleep	Modus Stand-by	Modus Operation
- Watt	26 W	63 W	446 W
- Volt Ampere	38 VA	64 VA	451 VA
- Reactive Power	27 VAR	9 VAR	94 VAR
- Power Factor	PF 0,60	PF 0,88	PF 0,98
- COS Phi	0,69	0,99	0,99
- Ampere	0,19 A	0,32 A	2,3 A
- Conveyor height 820–930 mm
- Machine weight 200 kg
- Colour Green: RAL 6000

Packages

- Min. width / height 100 x 20 mm
- Max. width / height Chute dimension
/. 50 mm
- Max. weight 35 kg

Plastic strap (PP)

- Width: 9 mm / embossed Dylastic 940 SBM
- Width: 12 mm / embossed Dylastic 1240 SBM
- Strap thickness 0,40–0,60 mm
- Strap coil, inside/outside Ø 200/430 mm

Polypropylene straps and applications have to correspond with the strap specifications recommended by Signode!

Semi Automatic Strapping Machines

Performance - Options

Performance

Machines	SBM 4302
For strap width	9/12 mm
Max. cycles	65/min.
Chute dimensions (w x h)	
- 650 x 500 mm	9/12 mm

Machines	SBM 4302
Strap tension, up to	450 N
Room temperature	5-40°C
Relative humidity of air	10-85%

Performance:

Depends on chute and package dimensions

Options



Foot switch
with protection cover



Cycle start triggered by photocell
for single, double or multiple strapping



Roller table
for easy handling of heavy parcels



Interface
for integration into existing production lines



Fixable feet
With adjustable feet the machine can be securely located

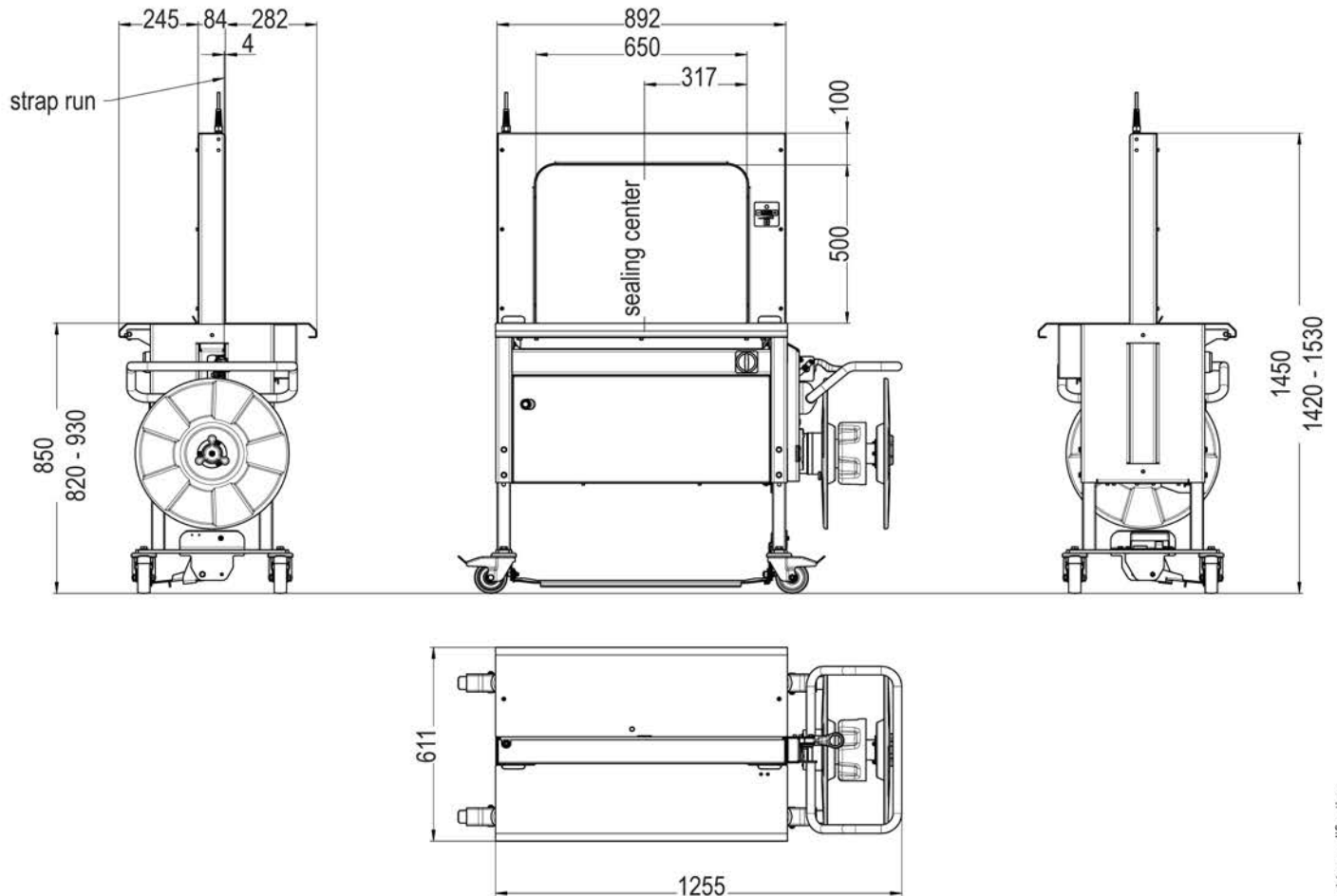
Further Options

- Hold down device
- Second foot pedal
- Special working height

Semi Automatic Strapping Machines

Layouts SBM 4302

SBM 4302 (650 x 500 mm)



SIGNODE POLSKA

ul. Gen. L. Okulickiego 7/9, 05-500 Piaseczno, Polska
T: +48 22 233 10 41 T: +48 22 233 10 39
F: +48 22 233 10 40 E: signode@signode.pl
www.signode.pl www.signode-europe.com

SIGNODE®

